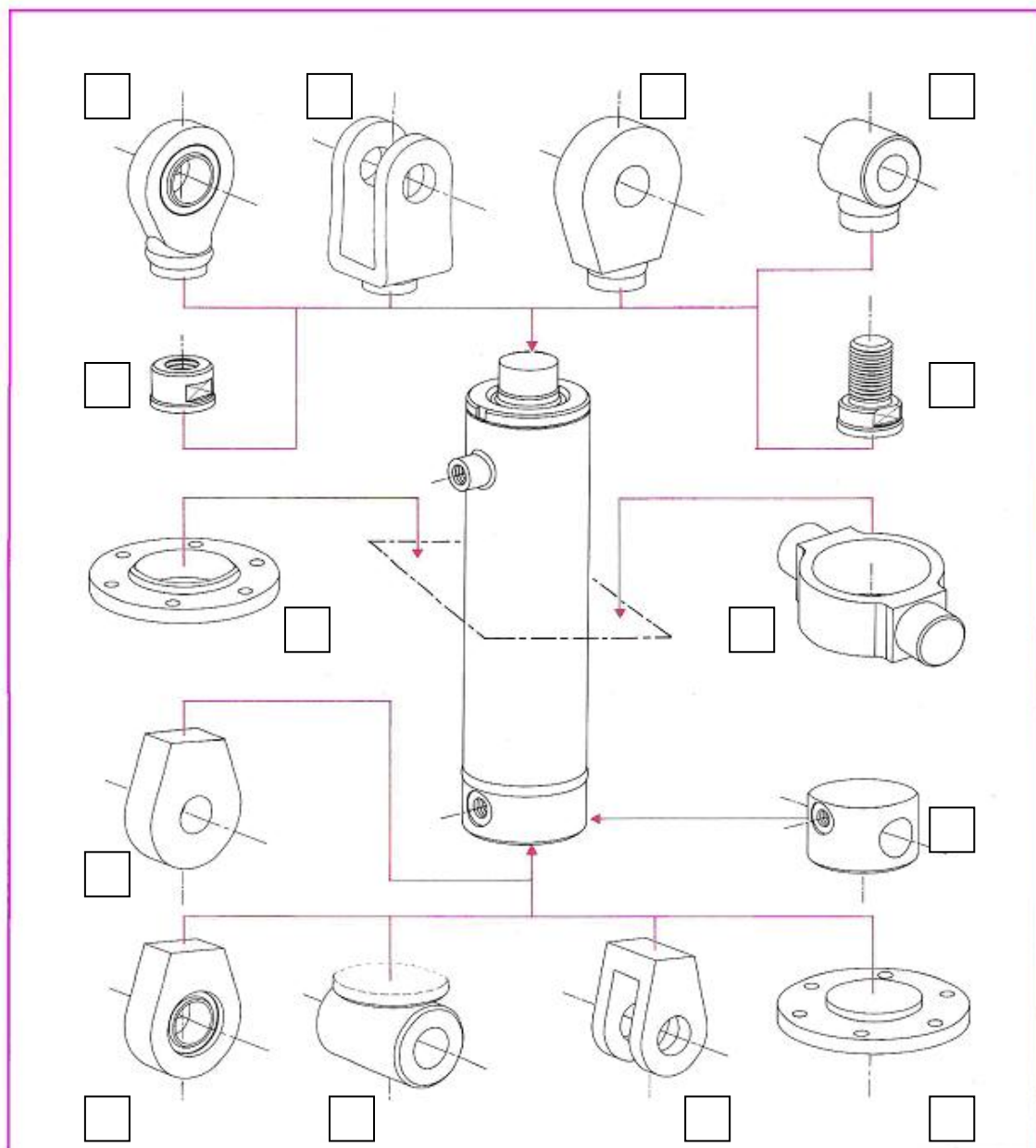


Company	
Department	
Project	
Person	
Phone	
Fax	
E-Mail	
Address	
Website	

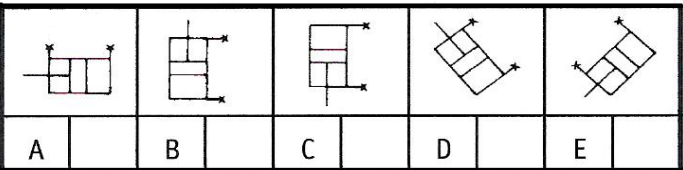
FLUTEC Hydraulics (Changzhou) Co., Ltd.
 No.4-2717,Powerlong Plaza,Zhonglou District.
 Changzhou City 213023,Jiangsu, China
 Tel:+86 519 85185518
 Fax:+86 519 85185517
 sales@flutechdraulics.com
 https://flutechdraulics.com

Application	
Quantity	

cylinder structure – modular concept :



operating data:

<input type="checkbox"/> Double acting <input type="checkbox"/> Single acting of pull <input type="checkbox"/> Single acting of push <input type="checkbox"/> Cushioning rod side & <input type="checkbox"/> Adjustable <input type="checkbox"/> Cushioning piston side & <input type="checkbox"/> Adjustable		cylinder mounting position  max angle to vertical when retracted/extracted = ° / °	
stroke :	mm	piston-Ø :	mm
cylinder max force (without cylinder's own weight) :	pull: kN	rod-Ø :	mm
	push: kN	rod material :	
piston speed :	retraction: m/min (moving in)	surface coating on piston rod :	<input type="checkbox"/> hard chrome : <input type="checkbox"/> 25 µm <input type="checkbox"/> 50 µm <input type="checkbox"/> other :
	extraction: m/min (moving out)		<input type="checkbox"/> Ni /Cr : <input type="checkbox"/> 40 / 30 µm <input type="checkbox"/>/..... µm
any steady load on rod : (i.e. hanging mass)	kN		<input type="checkbox"/> ceramic : <input type="checkbox"/> 300 µm <input type="checkbox"/> other :
number of strokes / hour :			<input type="checkbox"/> nitrided :
ambient - temperature :	- °C to + °C		<input type="checkbox"/> others :
working pressure:	bar		Seals :
requested test pressure :	bar	<input type="checkbox"/> heavy-duty (chevron seal piston / rod)	
measuring system :	<input type="checkbox"/> electrical output: <input type="checkbox"/> mechanical	<input type="checkbox"/> servo-construction (glydring-seals piston / rod)	
	<input type="checkbox"/> needed, quantity: <input type="checkbox"/> not needed	<input type="checkbox"/> other	
service fluid :		<i>Telescopic cylinder</i> number of piston stages: stage - Ø outside ___ / ___ / ___ / ___ inside ___ / ___ / ___ / ___ other :	
hydraulic ports:	<input type="checkbox"/> inch thread		
	<input type="checkbox"/> metric thread		
	<input type="checkbox"/> SAE - connection		
annex:	<input type="checkbox"/> drawings <input type="checkbox"/> technical specifications <input type="checkbox"/> others:		
standards & extra requirements :			
comments (use extra page(s) if needed) :			

Note: Please complete a separate form for each different cylinder type