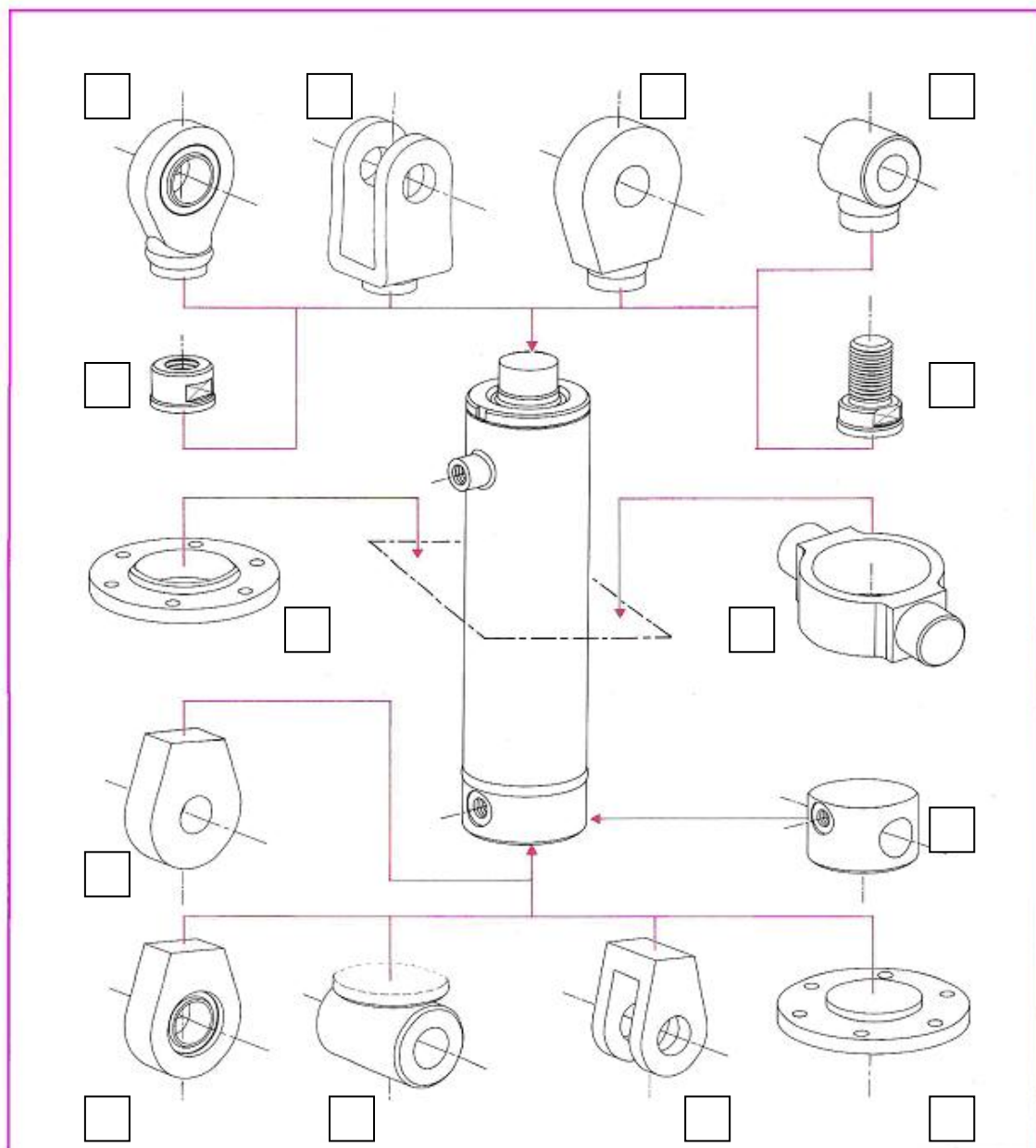


| | |
|-------------------|--|
| Company | |
| Department | |
| Project | |
| Person | |
| Phone | |
| Fax | |
| E-Mail | |
| Address | |
| Website | |

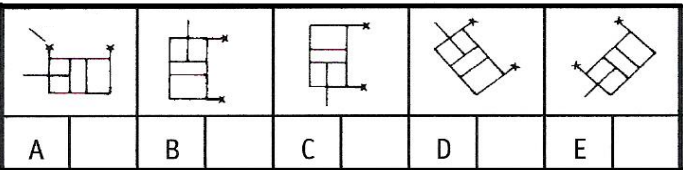
FLUTEC Hydraulics (Changzhou) Co., Ltd.
 No.4-2717,Powerlong Plaza,Zhonglou Distric.
 Changzhou City 213023,Jiangsu, China
 Tel:+86 519 85185518
 Fax:+86 519 85185517
 sales@flutechdraulics.com
 https://flutechdraulics.com

| | |
|--------------------|--|
| Application | |
| Quantity | |

cylinder structure – modular concept :



operating data:

| | | | |
|---|--|--|--|
| <input type="checkbox"/> Double acting <input type="checkbox"/> Single acting of pull <input type="checkbox"/> Single acting of push <input type="checkbox"/> Cushioning rod side & <input type="checkbox"/> Adjustable <input type="checkbox"/> Cushioning piston side & <input type="checkbox"/> Adjustable | | cylinder mounting position  | |
| | | max angle to vertical when retracted/extracted = ° / ° | |
| stroke : | mm | piston-Ø : | mm |
| cylinder max force (without cylinder's own weight) : | pull: kN | rod-Ø : | mm |
| | push: kN | rod material : | |
| piston speed : | retraction: m/min (moving in) | surface coating on piston rod : | <input type="checkbox"/> hard chrome : <input type="checkbox"/> 25 µm <input type="checkbox"/> 50 µm <input type="checkbox"/> other : |
| | extraction: m/min (moving out) | | <input type="checkbox"/> Ni /Cr : <input type="checkbox"/> 40 / 30 µm <input type="checkbox"/>/..... µm |
| any steady load on rod : (i.e. hanging mass) | kN | | <input type="checkbox"/> ceramic : <input type="checkbox"/> 300 µm <input type="checkbox"/> other : |
| number of strokes / hour : | | | <input type="checkbox"/> nitrided : |
| ambient - temperature : | - °C to + °C | | <input type="checkbox"/> others : |
| working pressure: | bar | | Seals : |
| requested test pressure : | bar | <input type="checkbox"/> heavy-duty (chevron seal piston / rod) | |
| measuring system : | <input type="checkbox"/> electrical output: <input type="checkbox"/> mechanical | <input type="checkbox"/> servo-construction (glydring-seals piston / rod) | |
| | limit switches : | <input type="checkbox"/> needed, quantity: <input type="checkbox"/> not needed | |
| service fluid : | | <i>Telescopic cylinder</i> | |
| hydraulic ports: | <input type="checkbox"/> inch thread | number of piston stages: stage - Ø outside ___ / ___ / ___ / ___ inside ___ / ___ / ___ / ___ | |
| | <input type="checkbox"/> metric thread | other : | |
| | <input type="checkbox"/> SAE - connection | | |
| annex: | <input type="checkbox"/> drawings <input type="checkbox"/> technical specifications <input type="checkbox"/> others: | | |
| standards & extra requirements : | | | |
| comments (use extra page(s) if needed) : | | | |

Note: Please complete a separate form for each different cylinder type